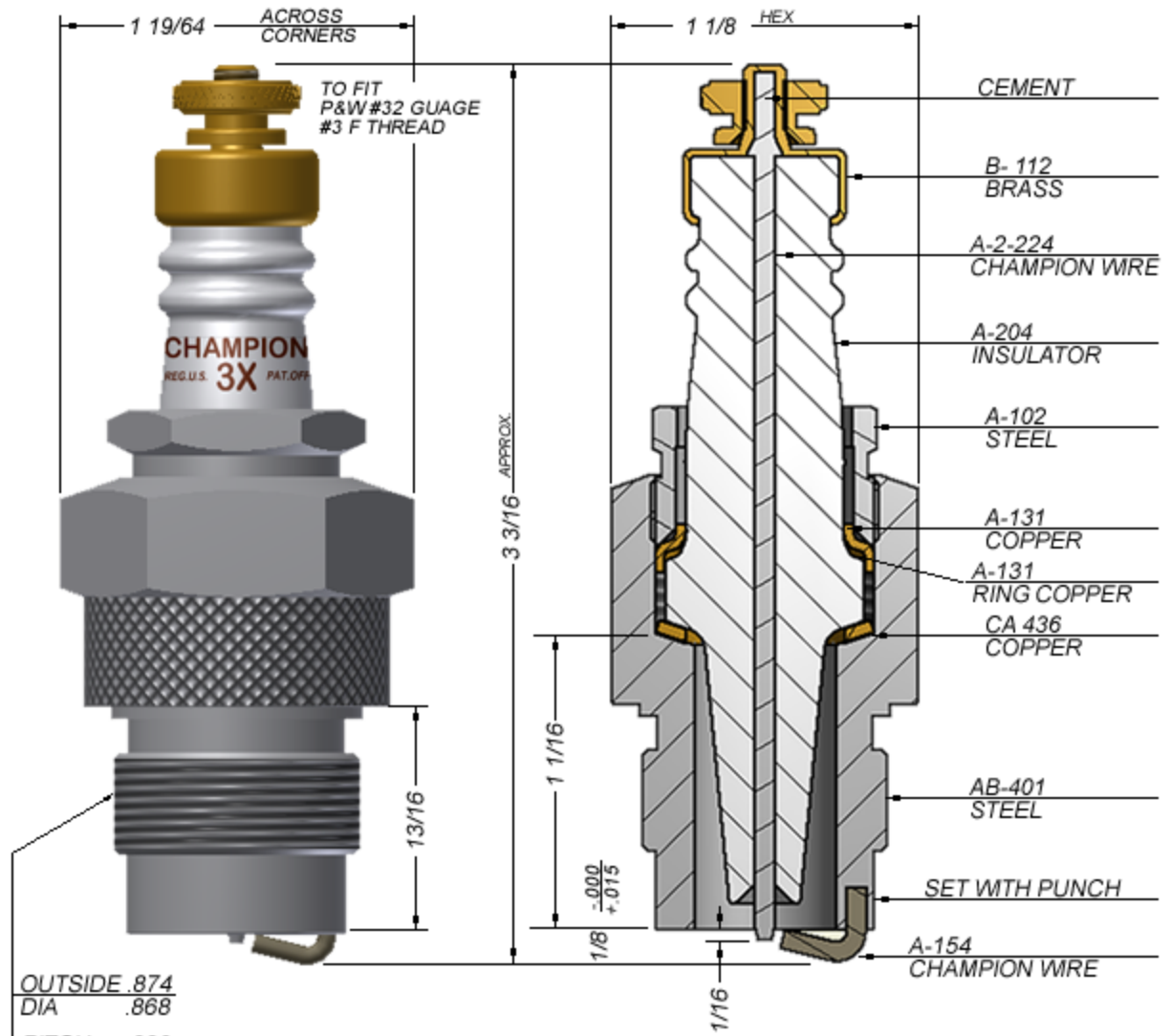


# CHAMPION SPARK PLUG CO.

TOLED OHIO.



OUTSIDE	.874
DIA	.868
PITCH	.839
DIA	.834
ROOT	.803
DIA	.798

## NO. 3. X

CHANGES		<h1>A. 3. X</h1> <p>modelAbasics.com Paul Modlin</p>			
DATE	DESCRIPTION				
		DRAWN BY	CHECKED	SCALE	DATE
		M.I.N.	B.H.S.	2"=1"	11-14-27

NOTE: All spellings are as found on the original drawing.  
 Created from: Eaton, Ed. "The Model 'A' Spark Plug." Model "A" News. March-April, 1986. PP 12-17.